

# STAR

The Classical Hinge



# STAR TRACK

Hinge Systems



**samet**

**Star Hinge**, the classical product of SAMET, provides different solutions with its large product range, meets with customers for many years.

## Perfect Design

**Star Hinge**, which provides different solutions to meet users' needs, steps forward with its simple design, durability and long life structure. Star Hinge provides wide range adjustment option.

## Easy Installation

SAMET developed **Star Hinge** in a way that ensures easy assembly-disassembly of hinge onto mounting plate feature just by using a screwdriver. It simplifies installation process during production.



## High Quality

Star Hinge Series were designed with the advanced technology of SAMET R&D Center and produced by using fully - automated robotic production systems.

## Advanced 3D Adjustment with Star Track Hinge System

Wide range 3D adjustment in six direction ensures assembly comfort and better precision for furnitures.

## Special Applications

Star and Star Track Hinge system fulfill customer needs for special applications with 15°, 30°, -30°, 45°, - 45°, 90° degree and 165° opening hinges.



# STAR TRACK

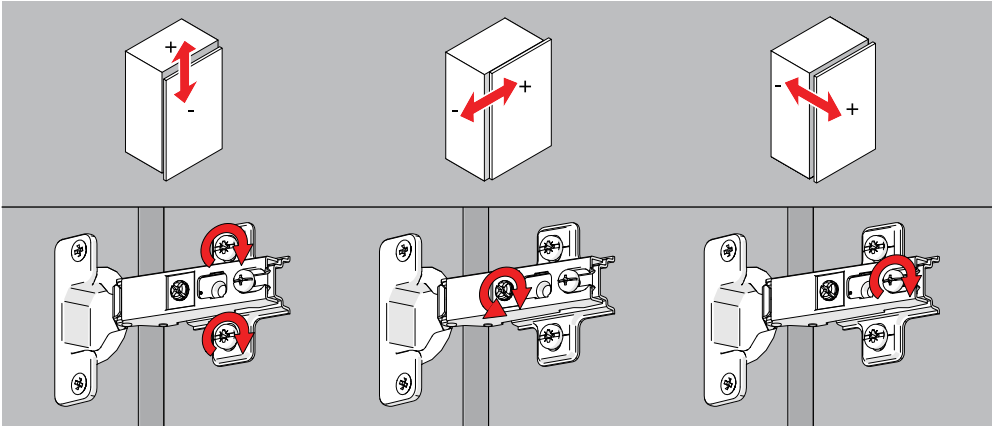
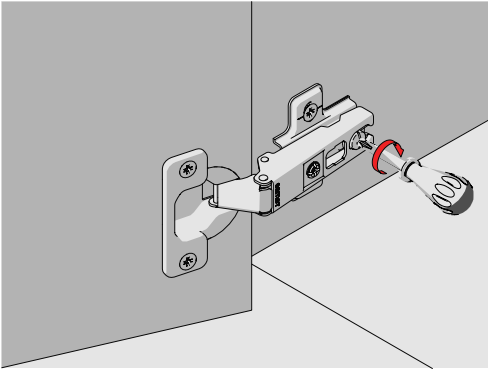
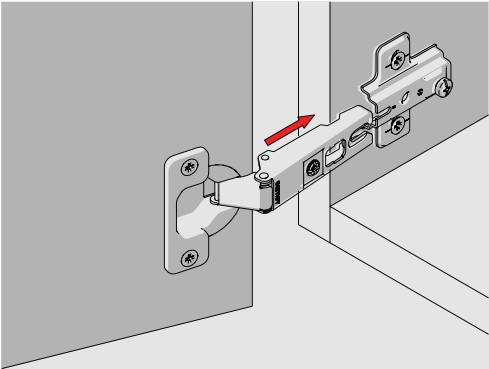
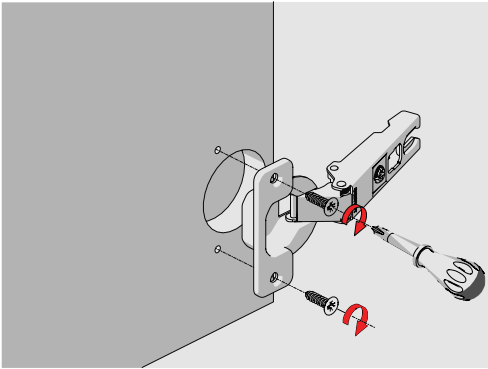
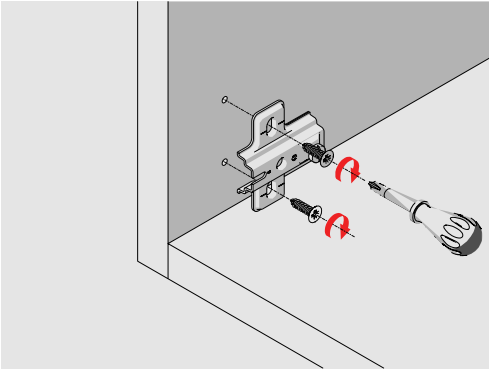
## Hinge System

**Star Track Hinge**, developed after research and advanced tests carried out by SAMET R&D Center, provides easy and tool free assembling and disassembling of cabinets with a single touch.



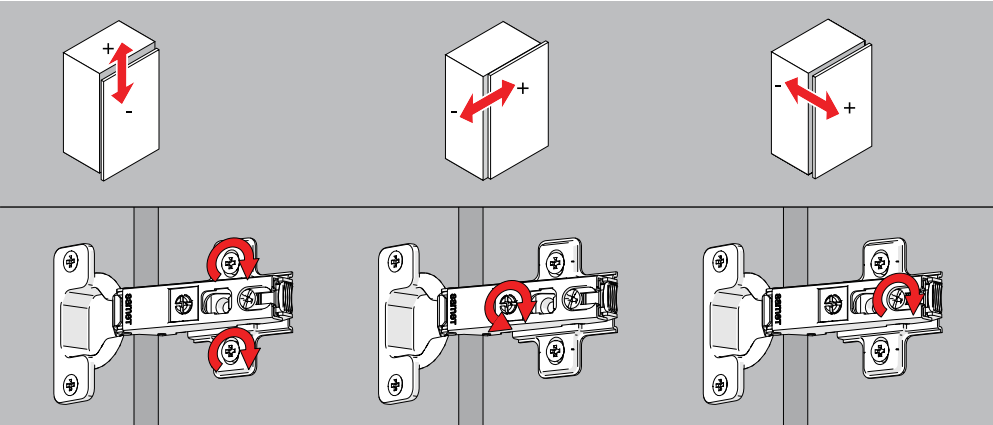
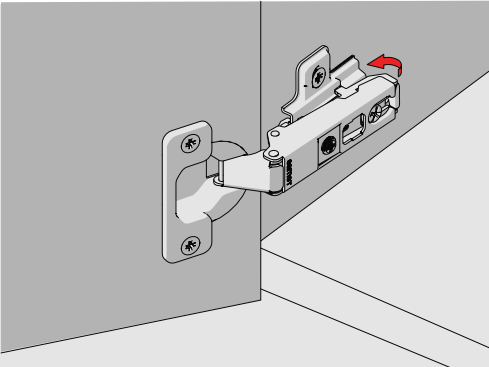
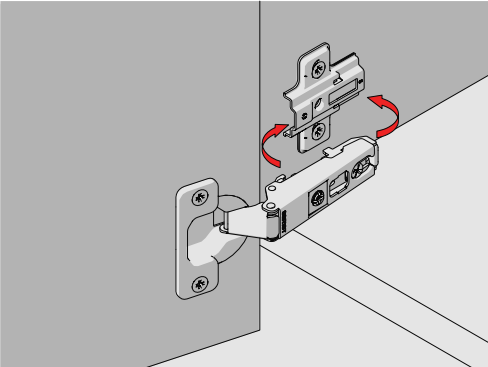
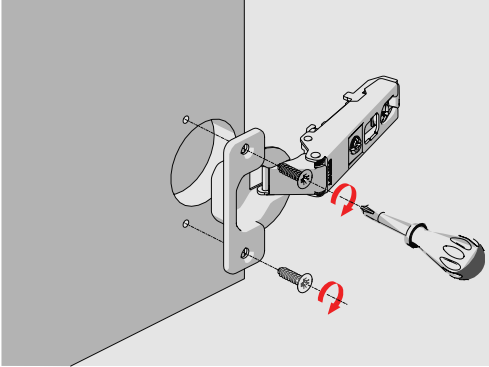
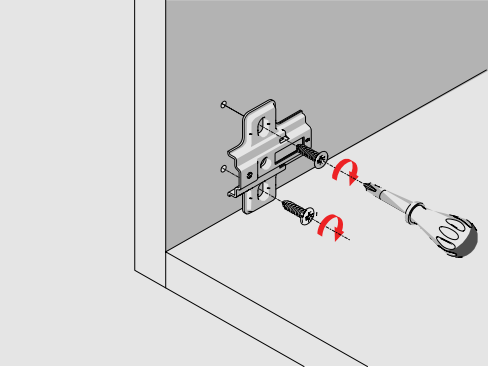
### Technical Specifications Star and Star Track

- Opening Angle : 110° ◀
- Cup Diameter : 35 mm ◀
- Cup Depth : 11,2 mm ◀
- Crank Type : 0-9-18 mm ◀
- Finish : Nickel ◀
- Depth Adj. : ±3 mm ◀
- Side Adj. : +7/-1 mm ◀
- Height Adj. : ±2 mm ◀
- Packaging : 250 Pieces ◀






# STAR TRACK

## Assembly Instructions



Cranking		Crank 0		Cranking		Crank 9		Cranking		Crank 18	
DEFINITION	CODE	DEFINITION	CODE	DEFINITION	CODE	DEFINITION	CODE	DEFINITION	CODE	DEFINITION	CODE
45 Axis	101711	45 Axis	101712	45 Axis	101712	45 Axis	101713	45 Axis	101713	45 Axis	101713
45 Axis Ø8 Dowel	101751	45 Axis Ø8 Dowel	101752	45 Axis Ø8 Dowel	101752	45 Axis Ø8 Dowel	101753	45 Axis Ø8 Dowel	101753	45 Axis Ø8 Dowel	101753
45 Axis Ø10 Dowel	101754	45 Axis Ø10 Dowel	101755	45 Axis Ø10 Dowel	101755	45 Axis Ø10 Dowel	101756	45 Axis Ø10 Dowel	101756	45 Axis Ø10 Dowel	101756
45 Axis Euro Screw	101716	45 Axis Euro Screw	101718	45 Axis Euro Screw	101718	45 Axis Euro Screw	101734	45 Axis Euro Screw	101734	45 Axis Euro Screw	101734
45 Axis Tool-less	101717	45 Axis Tool-less	101719	45 Axis Tool-less	101719	45 Axis Tool-less	101735	45 Axis Tool-less	101735	45 Axis Tool-less	101735
45 Axis Easy Fit	1017541	45 Axis Easy Fit	1017551	45 Axis Easy Fit	1017551	45 Axis Easy Fit	1017561	45 Axis Easy Fit	1017561	45 Axis Easy Fit	1017561
48 Axis	101731	48 Axis	101732	48 Axis	101732	48 Axis	101733	48 Axis	101733	48 Axis	101733
48 Axis Ø8 Dowel	101771	48 Axis Ø8 Dowel	101772	48 Axis Ø8 Dowel	101772	48 Axis Ø8 Dowel	101773	48 Axis Ø8 Dowel	101773	48 Axis Ø8 Dowel	101773
48 Axis Ø10 Dowel	101774	48 Axis Ø10 Dowel	101775	48 Axis Ø10 Dowel	101775	48 Axis Ø10 Dowel	101776	48 Axis Ø10 Dowel	101776	48 Axis Ø10 Dowel	101776
48 Axis Euro Screw	101726	48 Axis Euro Screw	101728	48 Axis Euro Screw	101728	48 Axis Euro Screw	101736	48 Axis Euro Screw	101736	48 Axis Euro Screw	101736
48 Axis Tool-less	101727	48 Axis Tool-less	101729	48 Axis Tool-less	101729	48 Axis Tool-less	101737	48 Axis Tool-less	101737	48 Axis Tool-less	101737
48 Axis Easy Fit	1017542	48 Axis Easy Fit	1017552	48 Axis Easy Fit	1017552	48 Axis Easy Fit	1017562	48 Axis Easy Fit	1017562	48 Axis Easy Fit	1017562
52 Axis	1017113	52 Axis	1017123	52 Axis	1017123	52 Axis	1017133	52 Axis	1017133	52 Axis	1017133
52 Axis Ø8 Dowel	1017513	52 Axis Ø8 Dowel	1017523	52 Axis Ø8 Dowel	1017523	52 Axis Ø8 Dowel	1017533	52 Axis Ø8 Dowel	1017533	52 Axis Ø8 Dowel	1017533
52 Axis Ø10 Dowel	1017543	52 Axis Ø10 Dowel	1017553	52 Axis Ø10 Dowel	1017553	52 Axis Ø10 Dowel	1017563	52 Axis Ø10 Dowel	1017563	52 Axis Ø10 Dowel	1017563
52 Axis Euro Screw	1017163	52 Axis Euro Screw	1017183	52 Axis Euro Screw	1017183	52 Axis Euro Screw	1017343	52 Axis Euro Screw	1017343	52 Axis Euro Screw	1017343
52 Axis Tool-less	1017173	52 Axis Tool-less	1017193	52 Axis Tool-less	1017193	52 Axis Tool-less	1017353	52 Axis Tool-less	1017353	52 Axis Tool-less	1017353
52 Axis Easy Fit	1017544	52 Axis Easy Fit	1017554	52 Axis Easy Fit	1017554	52 Axis Easy Fit	1017564	52 Axis Easy Fit	1017564	52 Axis Easy Fit	1017564

Hinge Cup Mounting Holes	
Ø2,5x5 mm	
Ø5x12 mm	
[Ø8-10]x12 mm	
Ø10x12 mm	

Screw Options	
Ø3,5x16 mm Chipboard Screw	
Euro Screw	
Ø8-10 mm Plastic Dowel	
Easy Fit	

# STAR TRACK

## Code List

Cranking		<b>Crank 0</b>	Cranking		<b>Crank 9</b>	Cranking		<b>Crank 18</b>
DEFINITION	CODE		DEFINITION	CODE		DEFINITION	CODE	
45 Axis	10100211		45 Axis	10100221		45 Axis	10100231	
45 Axis Ø8 Dowel	101002111		45 Axis Ø8 Dowel	101002211		45 Axis Ø8 Dowel	101002311	
45 Axis Ø10 Dowel	101002112		45 Axis Ø10 Dowel	101002212		45 Axis Ø10 Dowel	101002312	
45 Axis Euro Screw	101002113		45 Axis Euro Screw	101002213		45 Axis Euro Screw	101002313	
45 Axis Tool-Less	101002114		45 Axis Tool-Less	101002214		45 Axis Tool-Less	101002314	
45 Axis Easy Fit	101002117		45 Axis Easy Fit	101002217		45 Axis Easy Fit	101002317	
48 Axis	10100212		48 Axis	10100222		48 Axis	10100232	
48 Axis Ø8 Dowel	101002121		48 Axis Ø8 Dowel	101002221		48 Axis Ø8 Dowel	101002321	
48 Axis Ø10 Dowel	101002122		48 Axis Ø10 Dowel	101002222		48 Axis Ø10 Dowel	101002322	
48 Axis Euro Screw	101002123		48 Axis Euro Screw	101002223		48 Axis Euro Screw	101002323	
48 Axis Tool-Less	101002124		48 Axis Tool-Less	101002224		48 Axis Tool-Less	101002324	
48 Axis Easy Fit	101002127		48 Axis Easy Fit	101002227		48 Axis Easy Fit	101002327	
52 Axis	10100213		52 Axis	10100223		52 Axis	10100233	
52 Axis Ø8 Dowel	101002131		52 Axis Ø8 Dowel	101002231		52 Axis Ø8 Dowel	101002331	
52 Axis Ø10 Dowel	101002132		52 Axis Ø10 Dowel	101002232		52 Axis Ø10 Dowel	101002332	
52 Axis Euro Screw	101002133		52 Axis Euro Screw	101002233		52 Axis Euro Screw	101002333	
52 Axis Tool-Less	101002134		52 Axis Tool-Less	101002234		52 Axis Tool-Less	101002334	
52 Axis Easy Fit	101002137		52 Axis Easy Fit	101002237		52 Axis Easy Fit	101002337	

### Hinge Cup Mounting Holes

Ø2,5x5 mm



Ø5x12 mm



{Ø8-10}x12 mm



Ø10x12 mm



### Screw Options

Ø3,5x16 mm Chipboard Screw



Euro Screw



Ø8-10 mm Plastic Dowel



Easy Fit





**STAR****STAR TRACK**

Mounting Plate Code List

## Star Mounting Plate

Star Mounting Plate <b>5 mm</b>		Star Mounting Plate <b>7 mm</b>		Star Mounting Plate <b>9 mm</b>	
DEFINITION	CODE L:37mm	DEFINITION	CODE L:37mm	DEFINITION	CODE L:37mm
Adjustable Steel	102411	Adjustable Steel	102412	Adjustable Steel	102413
Euro Screw 6,3x14 Steel	102431	Euro Screw 6,3x14 Steel	102432	Euro Screw 6,3x14 Steel	102433
Euro Screw 6,3x10 Adjustable Steel	102464	Euro Screw 6,3x10 Adjustable Steel	102465	Euro Screw 6,3x10 Adjustable Steel	102466
Ø5 Pls. Dowel Steel	102446	Ø5 Pls. Dowel Steel	102447	Ø5 Pls. Dowel Steel	102448
Ø8 Pls. Dowel Steel	102437	Ø8 Pls. Dowel Steel	102438	Ø8 Pls. Dowel Steel	102439
Ø10 Pls. Dowel Steel	102449	Ø10 Pls. Dowel Steel	102450	Ø10 Pls. Dowel Steel	102451
With adjustable Ø10 Pls. Dowel (Double)	102484	With adjustable Ø10 Pls. Dowel (Double)	102483	With adjustable Ø10 Pls. Dowel (Double)	102485

## Star Track Adjustable Mounting Plate

Star Track Adjustable Mounting Plate <b>5 mm</b>		Star Track Adjustable Mounting Plate <b>7 mm</b>		Star Track Adjustable Mounting Plate <b>9 mm</b>	
DEFINITION	CODE	DEFINITION	CODE	DEFINITION	CODE
Star Track Adj. Mounting Plate Countersunk	10260751	Star Track Adj. Mounting Plate Countersunk	10260771	Star Track Adj. Mounting Plate Countersunk	10260791
Star Track Adj. Mounting Plate Ø5 Dowel	10260756	Star Track Adj. Mounting Plate Ø5 Dowel	10260776	Star Track Adj. Mounting Plate Ø5 Dowel	10260796
Star Track Adj. Mounting Plate Ø8 Dowel	10260752	Star Track Adj. Mounting Plate Ø8 Dowel	10260772	Star Track Adj. Mounting Plate Ø8 Dowel	10260792
Star Track Adj. Mounting Plate Ø10 Dowel	10260753	Star Track Adj. Mounting Plate Ø10 Dowel	10260773	Star Track Adj. Mounting Plate Ø10 Dowel	10260793
Star Track Adj. Mounting Plate 6,3x14 Euro Screw	10260754	Star Track Adj. Mounting Plate 6,3x14 Euro Screw	10260774	Star Track Adj. Mounting Plate 6,3x14 Euro Screw	10260794
Star Track Adj. Mounting Plate 6,3x10 Euro Screw	10260755	Star Track Adj. Mounting Plate 6,3x10 Euro Screw	10260775	Star Track Adj. Mounting Plate 6,3x10 Euro Screw	10260795

# samet



samet.com.tr

-  SametGroup
-  SametGroup
-  Samet Kalıp ve Madeni Eşya San. ve Tic. A.Ş.
-  sametinternational