

smart slide single

Drawer Systems



samet

Smart Slide

Single and Full Extension Options

Smart Slide Drawer Systems meet expectations for advanced design creation with full and single extension options, which are developed with the purpose of meeting various design needs.



How many different ways could there be to open a Smart Slide Drawer ?

Soft-Close Version

Adapting soft close mechanism Smart Slide Drawer Systems, developed with cutting-edge technology, provide drawers with a very smooth opening and closing feature.



Push-Open Version

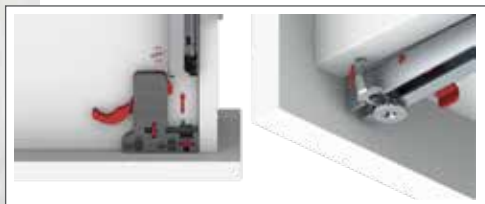
Smart Slide Drawer Systems “Push Open” function simplifies the use of non-handle drawers with a single touch movement.



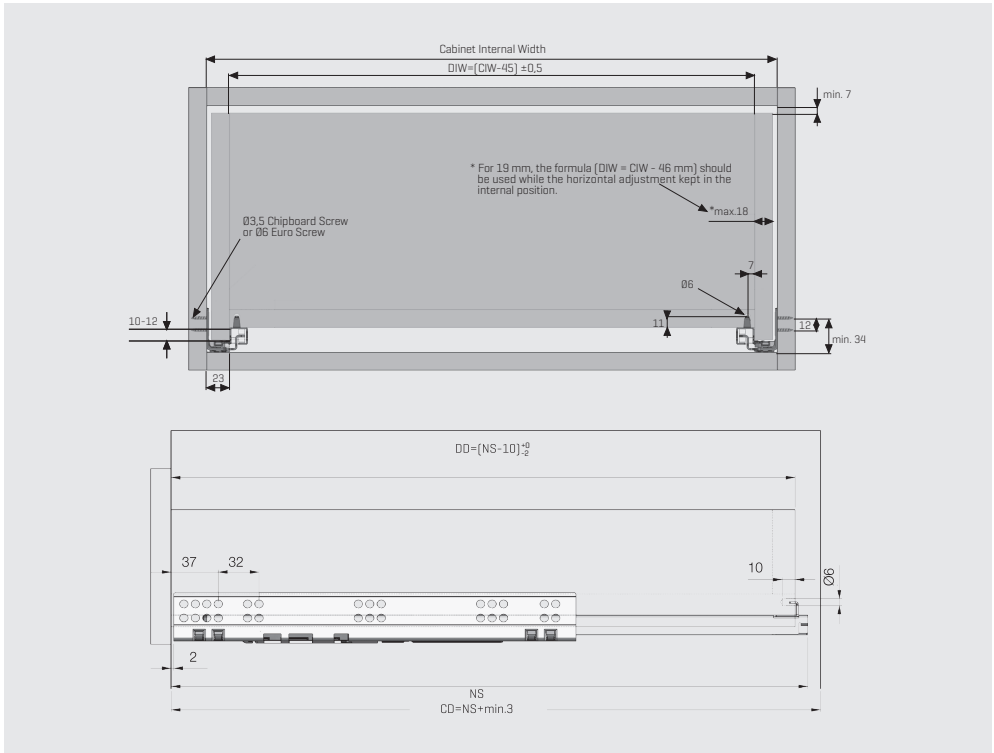
Lock-Fix and Pin-Fix Mechanism Options

Lock-Fix mechanism was especially designed for the quick and flexible installation process of Smart Slide Drawer Systems. “Pin-Fix System” was particularly developed for industrial furniture producers to ensure ease and safety during installation.

With wide drawer size alternatives within a range of 250 mm to 600 mm, different requirements can be met, which ensures different solutions during furniture production. The possibility to lock as tight as desired ensures safety during drawer utilization.



Drawer and Cabinet Dimensions P-0 / S-C [Lock Fix]



- CD Cabinet Depth
- CIW Cabinet Internal Width
- NS Nominal Size
- DIW Drawer Internal Width
- DD Drawer Depth

* All dimensions in the diagram are in mm

Recommended Screws For Rail Assembly for Assembly

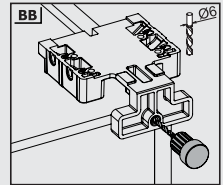
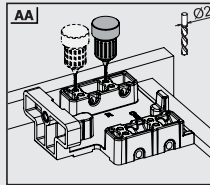
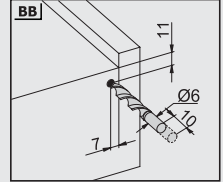
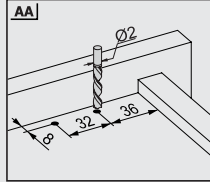
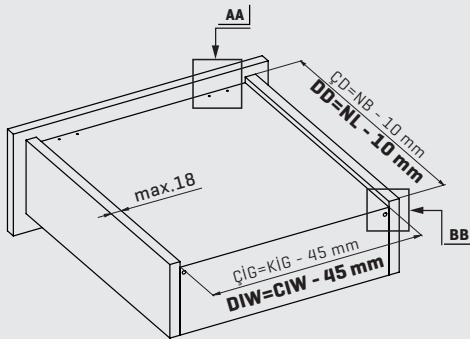
$\varnothing 3,5 \times 16$ mm Chipboard Screw



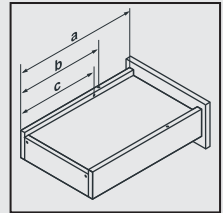
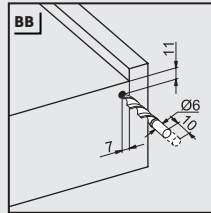
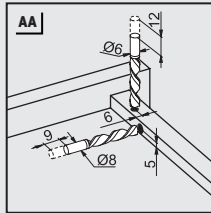
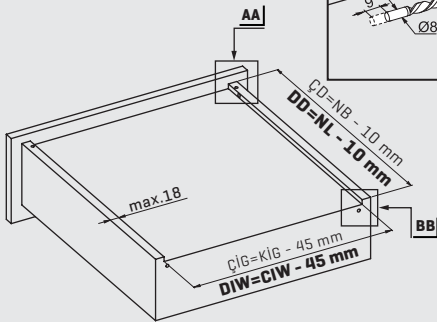
$\varnothing 6,1 \times 11,5$ mm Euro Screw



Lock - Fix Drilling Holes



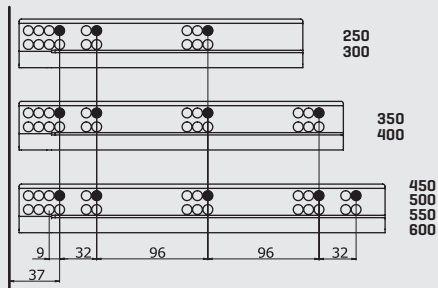
Pin - Fix Drilling Holes



Nominal Length NL [mm]	Drawer Depth a [mm]	Pin b [mm]	Safety Pin c [mm]
250	240	221	201
300	290	271	251
350	340	321	301
400	390	371	351
450	440	421	401
500	490	471	451
550	540	521	501
600	590	571	551

Screw Location for the Slides

Screw the slide from marked holes.



Single Extension Lock Fix

Smart Slide Drawer Slide Right-Left			
NOMINAL SIZE	CODE With Soft Close	CODE Without Soft Close	PACKING
250 mm	127221301	12722111	12 Set
300 mm	127221302	12722112	12 Set
350 mm	127221303	12722113	12 Set
400 mm	127221304	12722114	12 Set
450 mm	127221305	12722115	12 Set
500 mm	127221306	12722116	12 Set
550 mm	127221307	12722117	12 Set
600 mm	127221308	12722118	12 Set

SmartLock® Right-Left		
CODE Right	CODE Left	PACKING
12790773	12790774	120 Pcs

Single Extension Soft Close Pin Fix

Smart Slide Drawer Slide Right-Left		
NOMINAL SIZE	CODE With Soft Close	PACKING
250 mm	127221401	12 Set
300 mm	127221402	12 Set
350 mm	127221403	12 Set
400 mm	127221404	12 Set
450 mm	127221405	12 Set
500 mm	127221406	12 Set
550 mm	127221407	12 Set
600 mm	127221408	12 Set

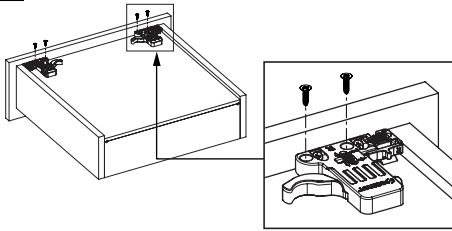
Single Extension Soft Open Lock Fix

Smart Slide Drawer Slide Right-Left		
NOMINAL SIZE	CODE	PACKING
250 mm	12722411	12 Set
300 mm	12722412	12 Set
350 mm	12722413	12 Set
400 mm	12722414	12 Set
450 mm	12722415	12 Set
500 mm	12722416	12 Set
550 mm	12722417	12 Set
600 mm	12722418	12 Set

SmartLock® Right-Left		
CODE Right	CODE Left	PACKING
12790773	12790774	120 Pcs

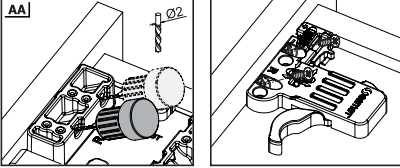
LOCK - FIX ASSEMBLY INSTRUCTIONS

1

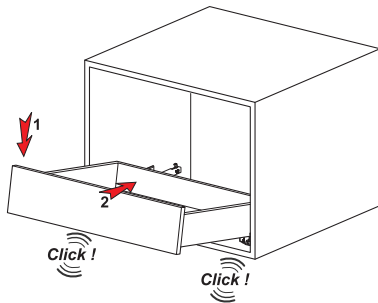


Note: Use angled holes to mount smart lock when wooden floor width is selected less than 12 mm.

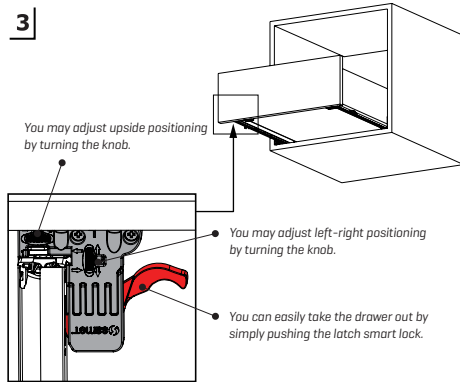
AA



2

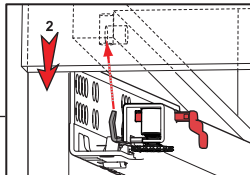
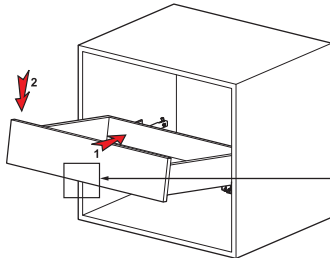


3



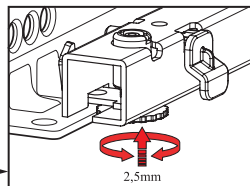
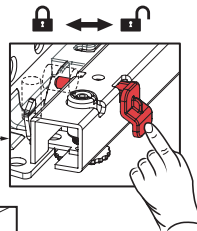
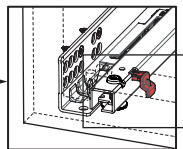
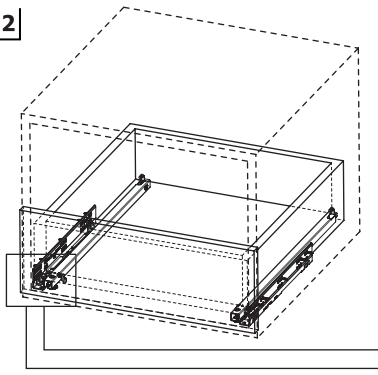
PIN - FIX ASSEMBLY INSTRUCTIONS

1



Important!!!
Make sure keep the safety pin open before the drawer is placed.





2



samet



www.samet.com.tr

-  facebook.com/SametGroup
-  twitter.com/SametGroup
-  linkedin.com: Samet Kalıp ve Madeni Eşya San. ve Tic. A.Ş.
-  youtube.com/sametinternational