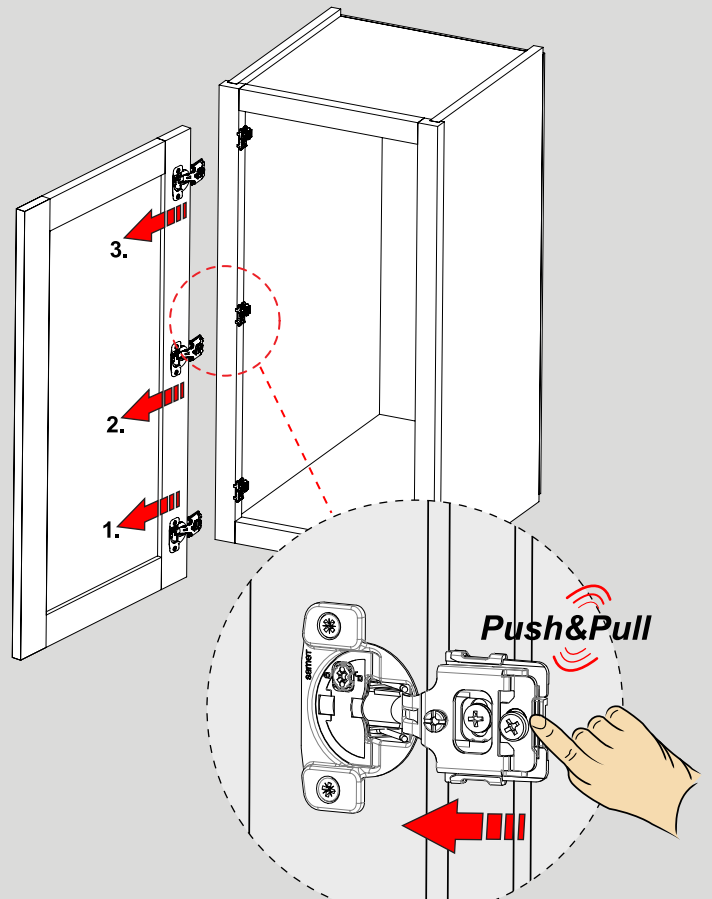
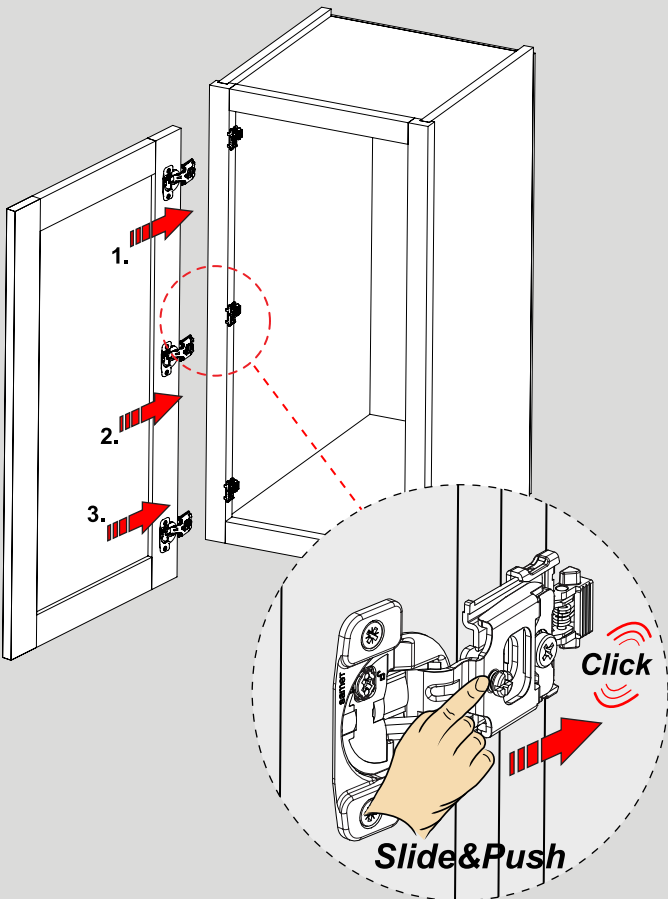
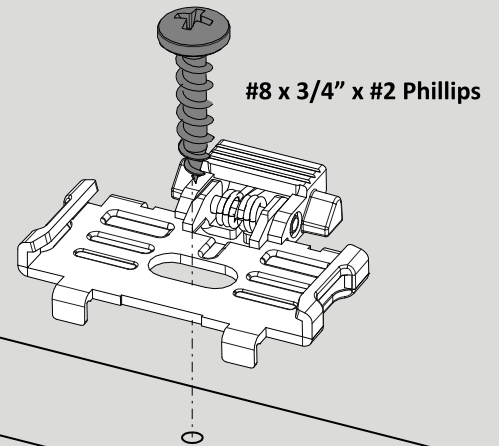
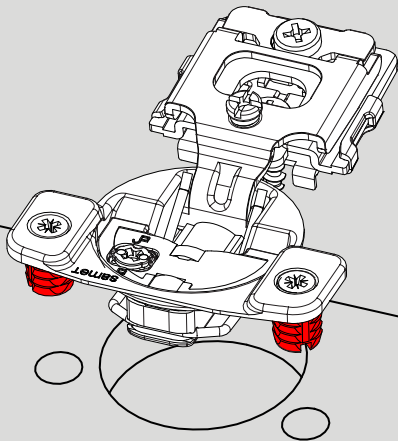
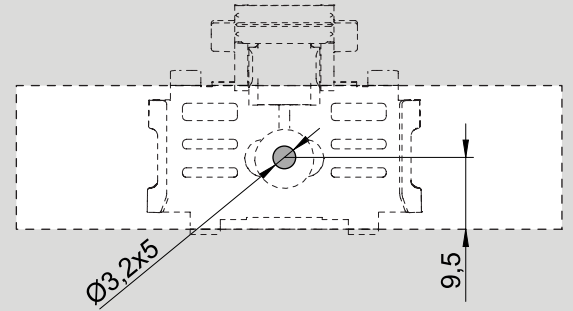
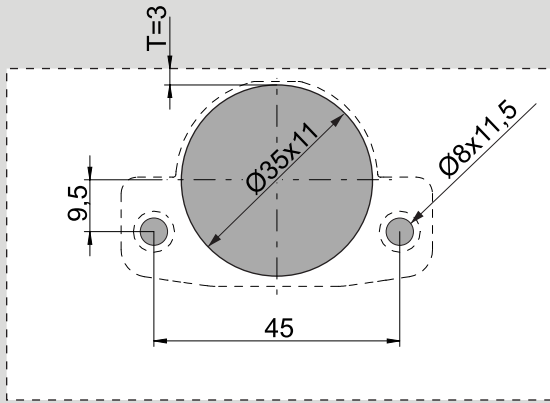
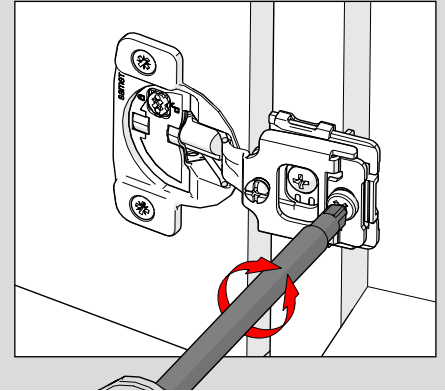
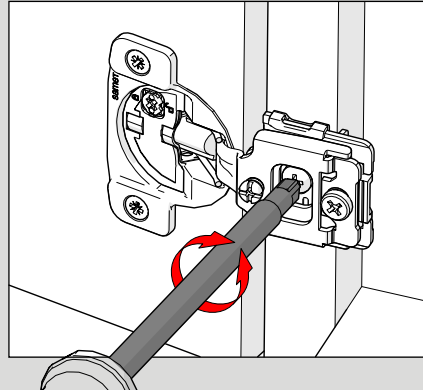
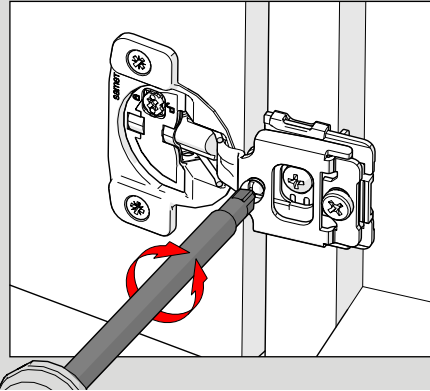
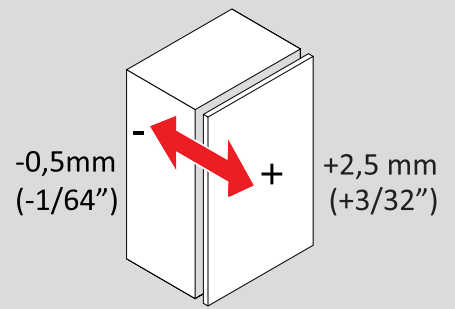
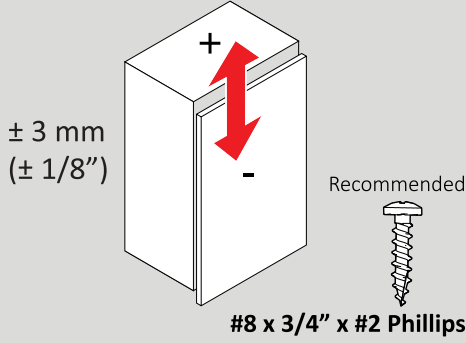
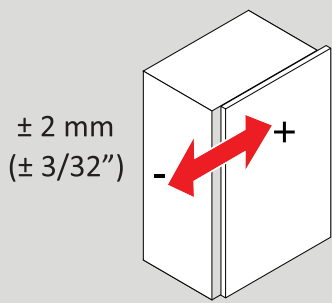


Technical Dimensions & Mounting



Adjustments



Side Adjustment

Rotate Screw Clockwise or
Counterclockwise

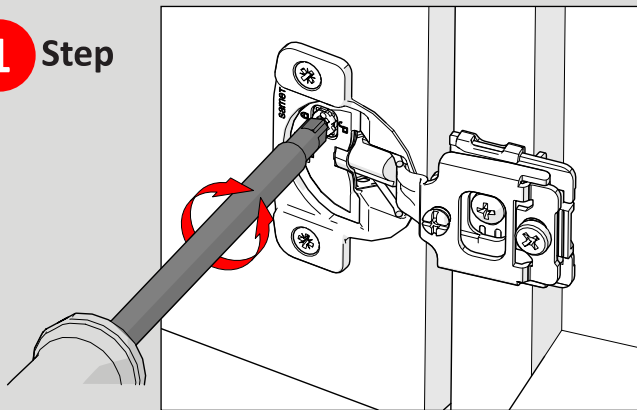
Height Adjustment

Loosen Screw, Align Door,
Tighten Screw

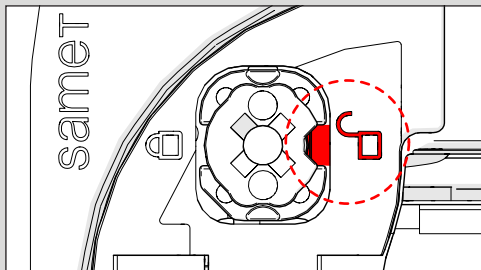
Depth Adjustment

Achievable Through Cam
Adjustment

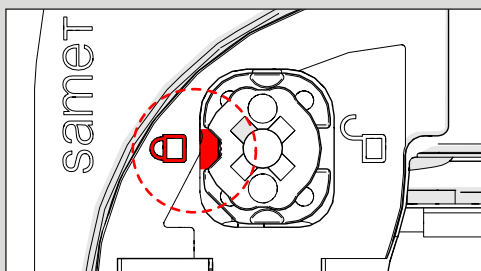
1 Step



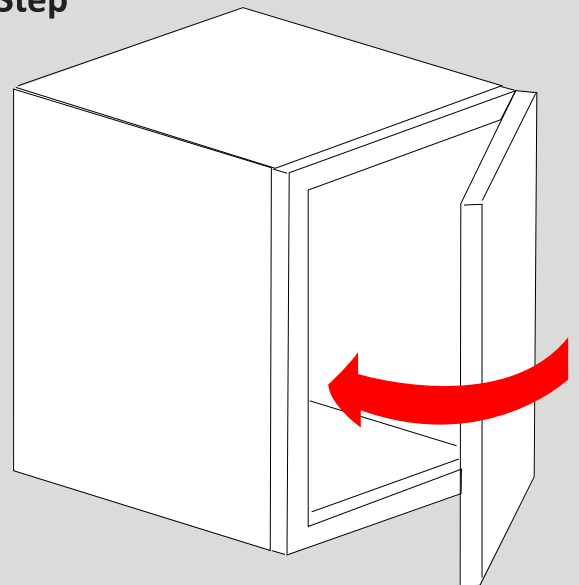
ON



OFF



2 Step



Door Soft Close Deactivation
Door must be closed once for the
deactivation to be complete