

# STAR

The Classical Hinge



## STAR TRACK

Hinge Systems



**samet**

**Star Hinge**, the classical product of SAMET, provides different solutions with its large product range, meets with customers for many years.

## Perfect Design

**Star Hinge**, which provides different solutions to meet users' needs, steps forward with its simple design, durability and long life structure. Star Hinge provides wide range adjustment option.

## Easy Installation

SAMET developed **Star Hinge** in a way that ensures easy assembly-disassembly of hinge onto mounting plate feature just by using a screwdriver. It simplifies installation process during production.



## High Quality

Star Hinge Series were designed with the advanced technology of SAMET R&D Center and produced by using fully - automated robotic production systems.

## Advanced 3D Adjustment with Star Track Hinge System

Wide range 3D adjustment in six direction ensures assembly comfort and better precision for furnitures.

## Special Applications

Star and Star Track Hinge system fulfill customer needs for special applications with 15° , 30° , -30° , 45° , - 45° , 90° degree and 165° opening hinges.



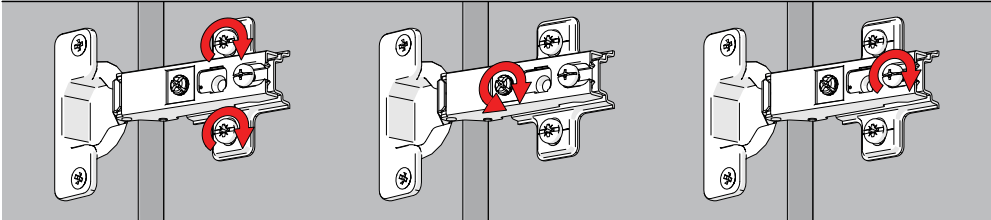
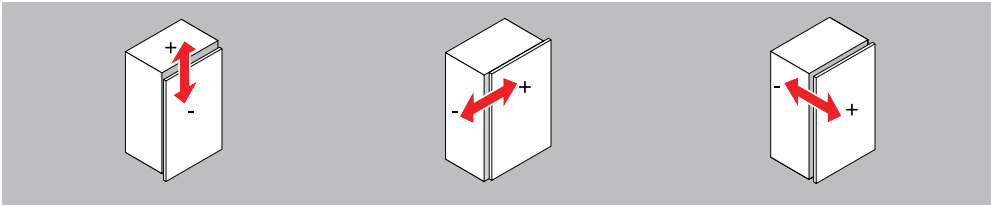
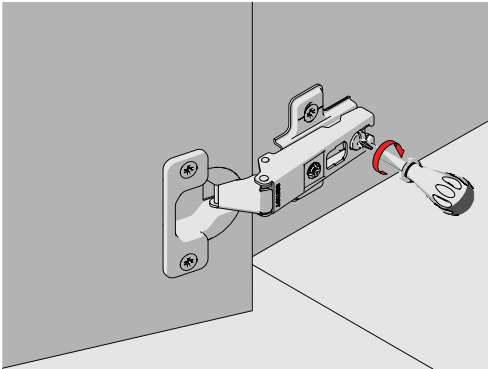
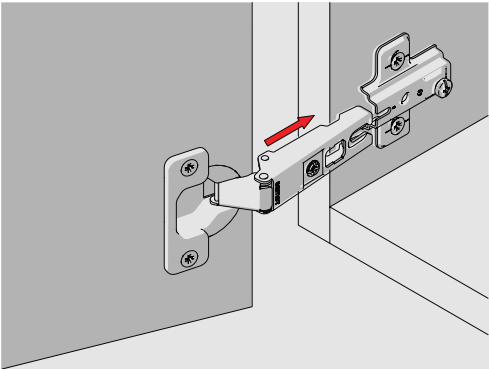
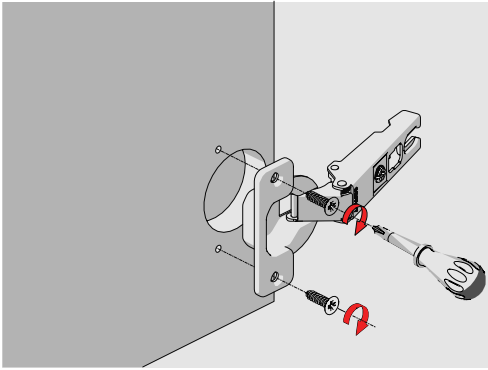
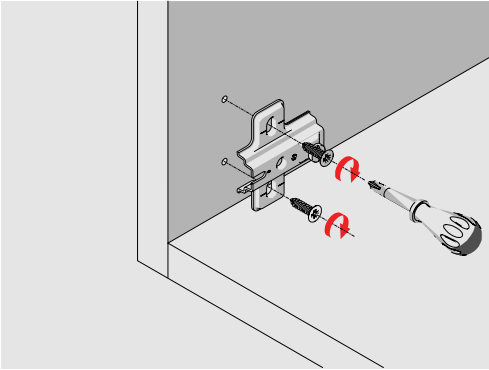
# STAR TRACK Hinge System

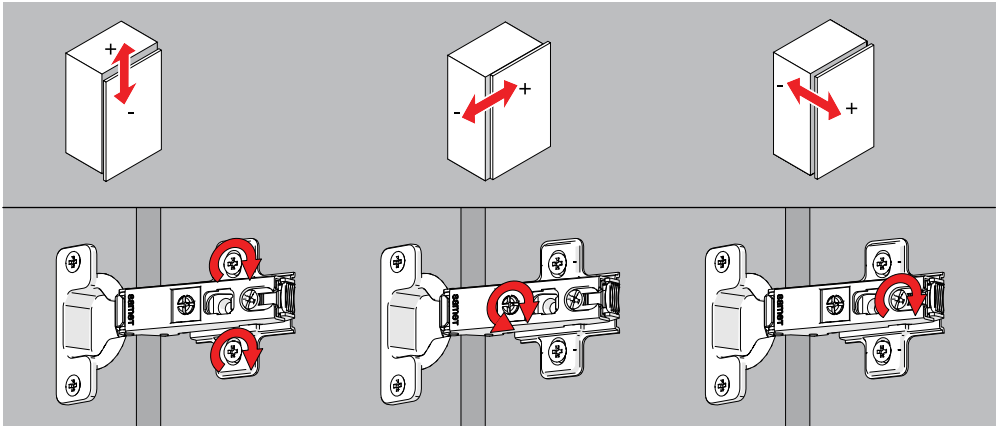
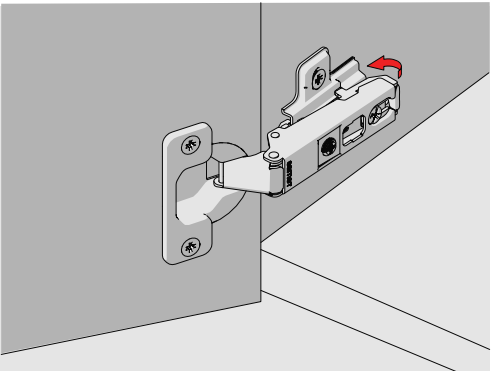
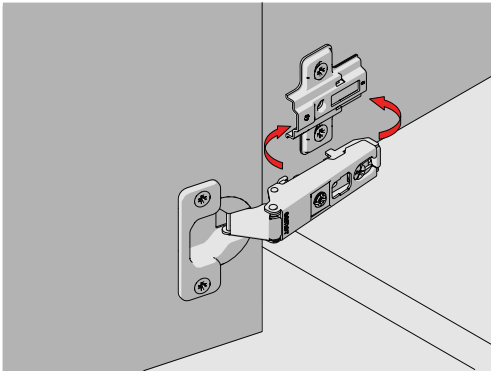
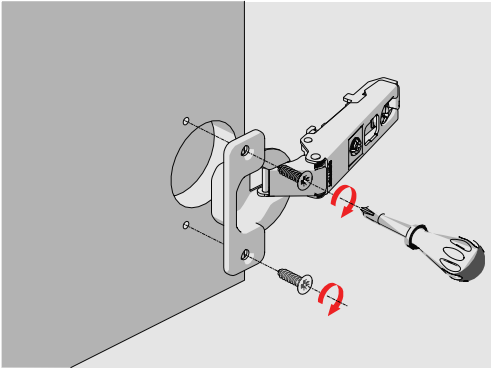
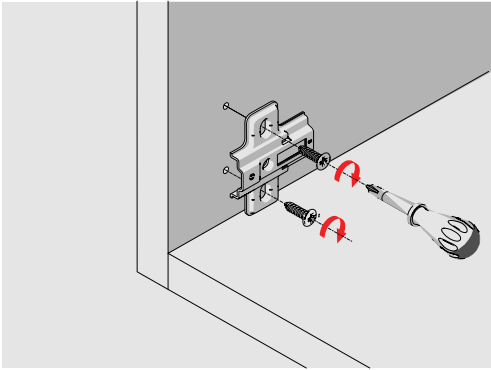
**Star Track Hinge**, developed after research and advanced tests carried out by SAMET R&D Center, provides easy and tool free assembling and disassembling of cabinets with a single touch.







## Technical Specifications Star and Star Track





- Opening Angle : 110° ◀
- Cup Diameter : 35 mm ◀
- Cup Depth : 11,2 mm ◀
- Crank Type : 0-9-18 mm ◀
- Finish : Nickel ◀
- Depth Adj. :  $\pm 3$  mm ◀
- Side Adj. :  $+7/-1$  mm ◀
- Height Adj. :  $\pm 2$  mm ◀
- Packaging : 250 Pieces ◀





| Cranking           |  | Crank 0 | Cranking           |  | Crank 9 | Cranking           |  | Crank 18 |
|--------------------|--|---------|--------------------|--|---------|--------------------|--|----------|
| DEFINITION         |  | CODE    | DEFINITION         |  | CODE    | DEFINITION         |  | CODE     |
| 45 Axis            |  | 101711  | 45 Axis            |  | 101712  | 45 Axis            |  | 101713   |
| 45 Axis Ø8 Dowel   |  | 101751  | 45 Axis Ø8 Dowel   |  | 101752  | 45 Axis Ø8 Dowel   |  | 101753   |
| 45 Axis Ø10 Dowel  |  | 101754  | 45 Axis Ø10 Dowel  |  | 101755  | 45 Axis Ø10 Dowel  |  | 101756   |
| 45 Axis Euro Screw |  | 101716  | 45 Axis Euro Screw |  | 101718  | 45 Axis Euro Screw |  | 101734   |
| 45 Axis Tool-less  |  | 101717  | 45 Axis Tool-less  |  | 101719  | 45 Axis Tool-less  |  | 101735   |
| 45 Axis Easy Fit   |  | 1017541 | 45 Axis Easy Fit   |  | 1017551 | 45 Axis Easy Fit   |  | 1017561  |
| 48 Axis            |  | 101731  | 48 Axis            |  | 101732  | 48 Axis            |  | 101733   |
| 48 Axis Ø8 Dowel   |  | 101771  | 48 Axis Ø8 Dowel   |  | 101772  | 48 Axis Ø8 Dowel   |  | 101773   |
| 48 Axis Ø10 Dowel  |  | 101774  | 48 Axis Ø10 Dowel  |  | 101775  | 48 Axis Ø10 Dowel  |  | 101776   |
| 48 Axis Euro Screw |  | 101726  | 48 Axis Euro Screw |  | 101728  | 48 Axis Euro Screw |  | 101736   |
| 48 Axis Tool-less  |  | 101727  | 48 Axis Tool-less  |  | 101729  | 48 Axis Tool-less  |  | 101737   |
| 48 Axis Easy Fit   |  | 1017542 | 48 Axis Easy Fit   |  | 1017552 | 48 Axis Easy Fit   |  | 1017562  |
| 52 Axis            |  | 1017113 | 52 Axis            |  | 1017123 | 52 Axis            |  | 1017133  |
| 52 Axis Ø8 Dowel   |  | 1017513 | 52 Axis Ø8 Dowel   |  | 1017523 | 52 Axis Ø8 Dowel   |  | 1017533  |
| 52 Axis Ø10 Dowel  |  | 1017543 | 52 Axis Ø10 Dowel  |  | 1017553 | 52 Axis Ø10 Dowel  |  | 1017563  |
| 52 Axis Euro Screw |  | 1017163 | 52 Axis Euro Screw |  | 1017183 | 52 Axis Euro Screw |  | 1017343  |
| 52 Axis Tool-less  |  | 1017173 | 52 Axis Tool-less  |  | 1017193 | 52 Axis Tool-less  |  | 1017353  |
| 52 Axis Easy Fit   |  | 1017544 | 52 Axis Easy Fit   |  | 1017554 | 52 Axis Easy Fit   |  | 1017564  |

| Hinge Cup Mounting Holes |   |
|--------------------------|---|
| Ø2,5x5 mm                |  |
| Ø5x12 mm                 |  |
| (Ø8-10)x12 mm            |  |
| Ø10x12 mm                |  |

| Screw Options              |   |
|----------------------------|---|
| Ø3,5x16 mm Chipboard Screw |  |
| Euro Screw                 |  |
| Ø8-10 mm Plastic Dowel     |  |
| Easy Fit                   |  |

| Cranking           |           | Crank 0 | Cranking           |           | Crank 9 | Cranking           |           | Crank 18 |
|--------------------|-----------|---------|--------------------|-----------|---------|--------------------|-----------|----------|
| DEFINITION         | CODE      |         | DEFINITION         | CODE      |         | DEFINITION         | CODE      |          |
| 45 Axis            | 10100211  |         | 45 Axis            | 10100221  |         | 45 Axis            | 10100231  |          |
| 45 Axis Ø8 Dowel   | 101002111 |         | 45 Axis Ø8 Dowel   | 101002211 |         | 45 Axis Ø8 Dowel   | 101002311 |          |
| 45 Axis Ø10 Dowel  | 101002112 |         | 45 Axis Ø10 Dowel  | 101002212 |         | 45 Axis Ø10 Dowel  | 101002312 |          |
| 45 Axis Euro Screw | 101002113 |         | 45 Axis Euro Screw | 101002213 |         | 45 Axis Euro Screw | 101002313 |          |
| 45 Axis Tool-Less  | 101002114 |         | 45 Axis Tool-Less  | 101002214 |         | 45 Axis Tool-Less  | 101002314 |          |
| 45 Axis Easy Fit   | 101002117 |         | 45 Axis Easy Fit   | 101002217 |         | 45 Axis Easy Fit   | 101002317 |          |
| 48 Axis            | 10100212  |         | 48 Axis            | 10100222  |         | 48 Axis            | 10100232  |          |
| 48 Axis Ø8 Dowel   | 101002121 |         | 48 Axis Ø8 Dowel   | 101002221 |         | 48 Axis Ø8 Dowel   | 101002321 |          |
| 48 Axis Ø10 Dowel  | 101002122 |         | 48 Axis Ø10 Dowel  | 101002222 |         | 48 Axis Ø10 Dowel  | 101002322 |          |
| 48 Axis Euro Screw | 101002123 |         | 48 Axis Euro Screw | 101002223 |         | 48 Axis Euro Screw | 101002323 |          |
| 48 Axis Tool-Less  | 101002124 |         | 48 Axis Tool-Less  | 101002224 |         | 48 Axis Tool-Less  | 101002324 |          |
| 48 Axis Easy Fit   | 101002127 |         | 48 Axis Easy Fit   | 101002227 |         | 48 Axis Easy Fit   | 101002327 |          |
| 52 Axis            | 10100213  |         | 52 Axis            | 10100223  |         | 52 Axis            | 10100233  |          |
| 52 Axis Ø8 Dowel   | 101002131 |         | 52 Axis Ø8 Dowel   | 101002231 |         | 52 Axis Ø8 Dowel   | 101002331 |          |
| 52 Axis Ø10 Dowel  | 101002132 |         | 52 Axis Ø10 Dowel  | 101002232 |         | 52 Axis Ø10 Dowel  | 101002332 |          |
| 52 Axis Euro Screw | 101002133 |         | 52 Axis Euro Screw | 101002233 |         | 52 Axis Euro Screw | 101002333 |          |
| 52 Axis Tool-Less  | 101002134 |         | 52 Axis Tool-Less  | 101002234 |         | 52 Axis Tool-Less  | 101002334 |          |
| 52 Axis Easy Fit   | 101002137 |         | 52 Axis Easy Fit   | 101002237 |         | 52 Axis Easy Fit   | 101002337 |          |

### Hinge Cup Mounting Holes

Ø2,5x5 mm



Ø5x12 mm



(Ø8-10)x12 mm



Ø10x12 mm



### Screw Options

Ø3,5x16 mm Chipboard Screw



Euro Screw



Ø8-10 mm Plastic Dowel



Easy Fit





Star Mounting Plate

| Star Mounting Plate <b>5 mm</b>            |                 | Star Mounting Plate <b>7 mm</b>            |                 | Star Mounting Plate <b>9 mm</b>            |                 |
|--|-----------------|--|-----------------|--|-----------------|
| DEFINITION                                 | CODE<br>L:37 mm | DEFINITION                                 | CODE<br>L:37 mm | DEFINITION                                 | CODE<br>L:37 mm |
| Adjustable Steel                           | 102411          | Adjustable Steel                           | 102412          | Adjustable Steel                           | 102413          |
| Euro Screw<br>6,3x14 Steel                 | 102431          | Euro Screw<br>6,3x14 Steel                 | 102432          | Euro Screw<br>6,3x14 Steel                 | 102433          |
| Euro Screw<br>6,3x10 Adjustable Steel      | 102464          | Euro Screw<br>6,3x10 Adjustable Steel      | 102465          | Euro Screw<br>6,3x10 Adjustable Steel      | 102466          |
| Ø5 Pls. Dowel Steel                        | 102446          | Ø5 Pls. Dowel Steel                        | 102447          | Ø5 Pls. Dowel Steel                        | 102448          |
| Ø8 Pls. Dowel Steel                        | 102437          | Ø8 Pls. Dowel Steel                        | 102438          | Ø8 Pls. Dowel Steel                        | 102439          |
| Ø10 Pls. Dowel Steel                       | 102449          | Ø10 Pls. Dowel Steel                       | 102450          | Ø10 Pls. Dowel Steel                       | 102451          |
| With adjustable Ø10 Pls.<br>Dowel (Double) | 102484          | With adjustable Ø10 Pls.<br>Dowel (Double) | 102483          | With adjustable Ø10 Pls.<br>Dowel (Double) | 102485          |


Star Track Adjustable Mounting Plate

| Star Track Adjustable Mounting Plate <b>5 mm</b>    |          | Star Track Adjustable Mounting Plate <b>7 mm</b>    |          | Star Track Adjustable Mounting Plate <b>9 mm</b>    |          |
|---|----------|---|----------|---|----------|
| DEFINITION  | CODE     | DEFINITION  | CODE     | DEFINITION  | CODE     |
| Star Track Adj. Mounting Plate<br>Countersunk       | 10260751 | Star Track Adj. Mounting Plate<br>Countersunk       | 10260771 | Star Track Adj. Mounting Plate<br>Countersunk       | 10260791 |
| Star Track Adj.<br>Mounting Plate Ø5 Dowel          | 10260756 | Star Track Adj.<br>Mounting Plate Ø5 Dowel          | 10260776 | Star Track Adj.<br>Mounting Plate Ø5 Dowel          | 10260796 |
| Star Track Adj.<br>Mounting Plate Ø8 Dowel          | 10260752 | Star Track Adj.<br>Mounting Plate Ø8 Dowel          | 10260772 | Star Track Adj.<br>Mounting Plate Ø8 Dowel          | 10260792 |
| Star Track Adj.<br>Mounting Plate Ø10 Dowel         | 10260753 | Star Track Adj.<br>Mounting Plate Ø10 Dowel         | 10260773 | Star Track Adj.<br>Mounting Plate Ø10 Dowel         | 10260793 |
| Star Track Adj.<br>Mounting Plate 6,3x14 Euro Screw | 10260754 | Star Track Adj.<br>Mounting Plate 6,3x14 Euro Screw | 10260774 | Star Track Adj.<br>Mounting Plate 6,3x14 Euro Screw | 10260794 |
| Star Track Adj.<br>Mounting Plate 6,3x10 Euro Screw | 10260755 | Star Track Adj.<br>Mounting Plate 6,3x10 Euro Screw | 10260775 | Star Track Adj.<br>Mounting Plate 6,3x10 Euro Screw | 10260795 |

# samET



samet.com.tr

-  SametGroup
-  SametGroup
-  Samet Kalıp ve Madeni Eşya San. ve Tic. A.Ş.
-  sametinternational